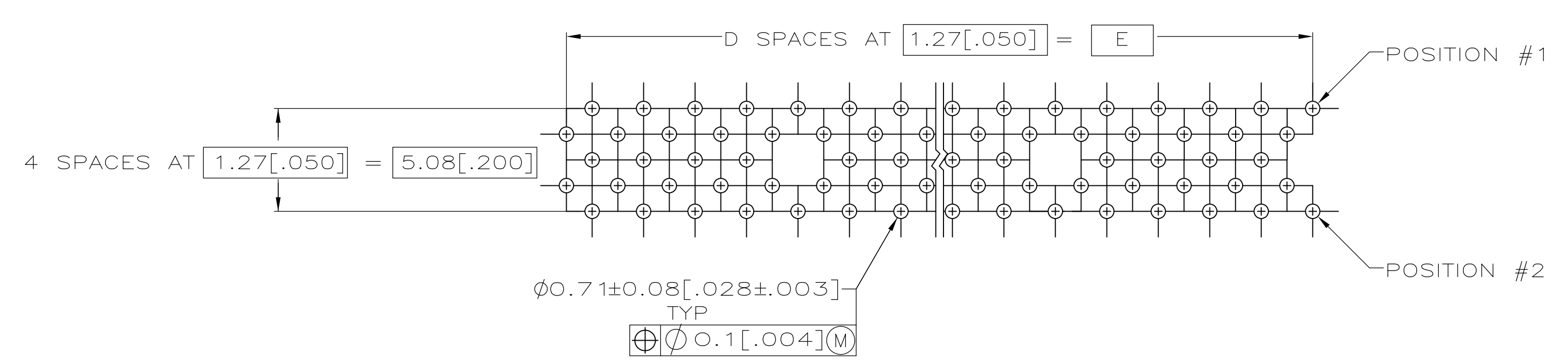
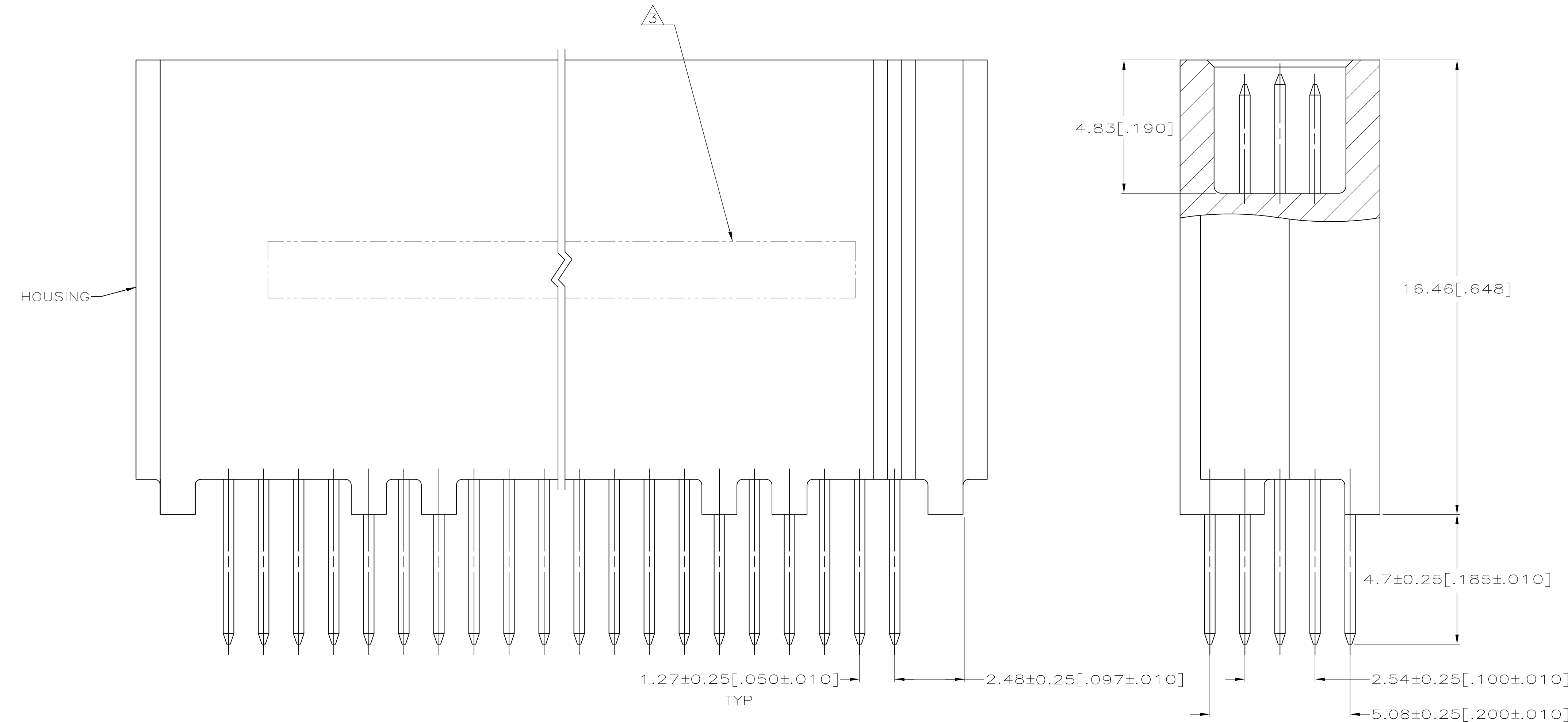


- ① HOUSING: HIGH TEMPERATURE THERMOPLASTIC, COLOR NATURAL.  
PIN CONTACTS: PHOSPHOR BRONZE.  
GROUND BUSES: PHOSPHOR BRONZE.
- ② CONTACTS & GROUND BUSES: 0.00076(.000030) MIN. GOLD PER ASTM B 488 ON CONTACT AREA, 0.00254-0.00762(.000100-.000300) MATTE TIN PER ASTM B 545 ON SOLDER TAIL, ALL OVER 0.00127-0.00254(.000050-.000100) MATTE NICKEL PER SAE AMS-QQ-N-290 ON ENTIRE CONTACT.
- ③ AMP AND DATE CODE MARKED IN AREA INDICATED, ON SAME SIDE AS POSITION NUMBER 2 INDICATOR.
- ④ ONE GROUND BUS WITH 4 TAILS PER EACH 20 PIN CONTACTS.



RECOMMENDED PC BOARD HOLE LAYOUT  
 (VIEWED FROM CONNECTOR SIDE)

49.53 [1.950]	39	52.02 [2.048]	54.61 [2.150]	56.24 [2.214]	80	5149012-3
36.83 [1.450]	29	39.32 [1.548]	41.91 [1.650]	43.54 [1.714]	60	5149012-2
24.13 [.950]	19	26.62 [1.048]	29.21 [1.150]	30.84 [1.214]	40	5149012-1
E	D	C	B	A	NO OF POS	PART NUMBER

THIS DRAWING IS A CONTROLLED DOCUMENT.		DIN 01-19-05	Tyco Electronics Corporation	
DIMENSIONS: mm[inches]		CHK L VARELA - DOCKS 01-19-05	Harrisburg, PA 17105-3608	
TOLERANCES UNLESS OTHERWISE SPECIFIED:		APP'D D DIXON 01-19-05	NAME	
0 PLC ± -	1 PLC ± -	PLUG ASSEMBLY, 18.75 [.738]		
2 PLC ± -	3 PLC ± 0.1 [.005]	STACK, 4.7 [.185] TAIL,		
4 PLC ± -	ANGLES ± -	BOARD TO BOARD, MICROSTRIP		
MATERIAL	FINISH	APPLICATION SPEC	SIZE	CAGE CODE
①	②	114-11005	A1	00779
CUSTOMER DRAWING		WEIGHT	DRAWING NO	RESTRICTED TO
			5149012	
		SCALE	SHEET	REV
		10:1	1 OF 1	A